

WDL



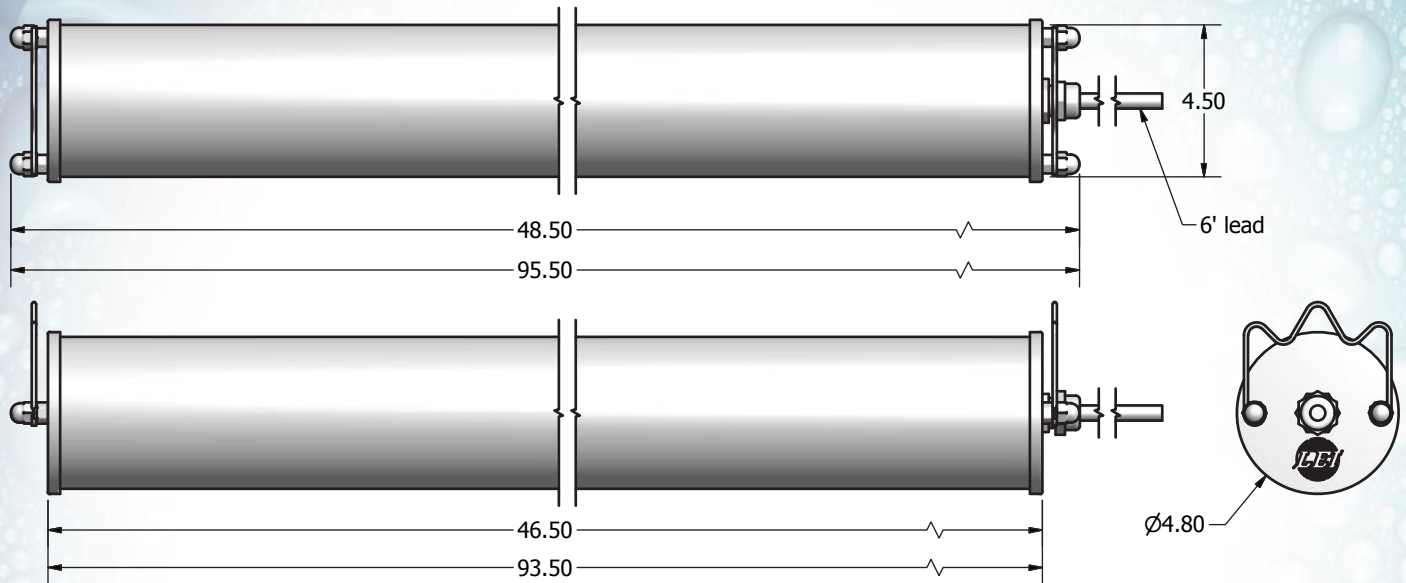
- Linear LED Design for Uniform Lighting
- Wide Distribution Light Pattern
- Small 4.5" Profile, Smooth Water-Shed Design
- Robust .125" Thick, Chemical and Impact Resistant Frosted Lens
- Custom Molded Sealing Gaskets with Stainless Steel End Caps
- Two Point Closure System for Positive Seal
- Component Based Design for Easy Maintenance
- Universal Voltage Driver (120V – 277V)
- 4000 CCT, >85 CRI, Conformal Coated LED's
- 50,000+ Hours Rated LED Life
- Flexible Mounting Options
- Available in 4' and 8' Models
- DLC Listed
- ETL Listed UL 1598 for Wet Location
- ETL Listed UL 1598 for Battery Back-Up
- ETL Listed for CSA Std. C22.2 No. 250.0
- ETL Listed for ANSI/NSF 2 for Splash Zones
- IP69K Rated



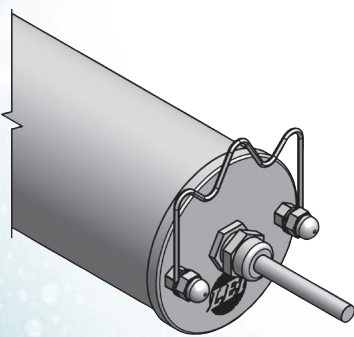
PRODUCT OVERVIEW

The **WDL Series** is an energy efficient linear LED fixture designed specifically for heavy hose-down applications. A proprietary two point closure system comprised of heavy duty stainless steel end caps and custom molded gaskets assure a positive seal. The component base design allows for quick and easy maintenance. The IP69K rated enclosure utilizes a robust .125" thick chemical and impact resistant **FROSTED** lens which provides a **GLARE FREE** wide distribution light pattern similar to fluorescent products. ETL listed UL 1598 for Wet Location, Battery Back-Up, CSA Std. C22.2 No. 250.0, ANSI/NSF 2 for Splash Zones, and IP69K rated; the **WDL Series** is designed to hold up to daily sanitation while meeting all USDA requirements.

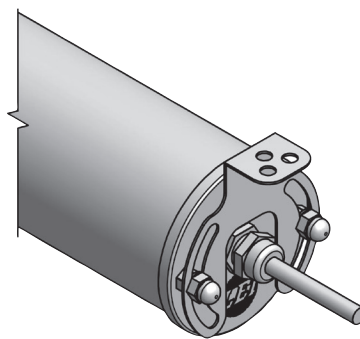
DIMENSIONS



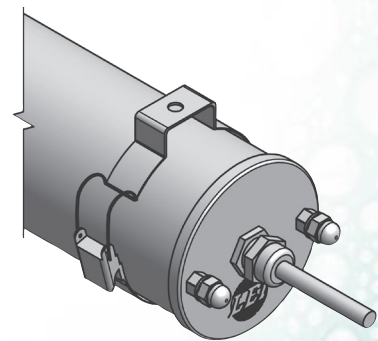
MOUNTING OPTIONS



W-WHK



W-AFK



W-BMK



LEI • (281) 992-8308 • FAX: (281) 996-0488 • sales@lighting-etc.com
www.lighting-etc.com • PO Box 3403 • Pearland, TX 77588

LIGHTING ETC.
INCORPORATED