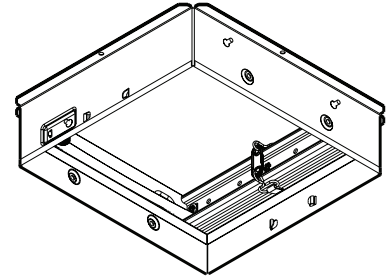


RDM1 RADIATION DAMPER FOR VENTILATION FANS



Radiation damper for use with Broan and NuTone ventilation fans (sold separately).

FEATURES

- For use in 1, 2 and 3 hour rated floor-ceiling and roof-ceiling constructions
- Galvanized steel frame
- High temperature, non-asbestos, reinforced fiber thermal fabric
- Stainless steel closure springs
- 165°F fusible link
- Separate outer frame allows complete fan and damper serviceability without disturbing the surrounding ceiling material
- Includes light jumper cable
- Meets or exceeds NFPA-90A
- UL Classified (UL-555C)

RDM1 for use with the following ventilation fan models:

Broan AE80, AE110, A80L, A110L, AE80B, AE80F, AE110F, AE80BF, A000HF, A110HF, A50L, A70L, A80, A80HD, A110, A70LF, A80F, A80HDF, A110F, A000HL

NuTone AEN80, AEN110, AN80L, AN110L, AEN80B, AEN80F, AEN110F, AEN80BF, AN000HF, AN110HF, AN70L, AN110, AN80HDF, AN110F, AN000HL, AN70LF

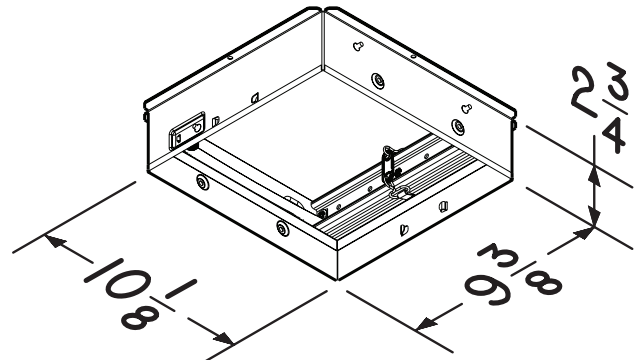
TYPICAL SPECIFICATION

Radiation damper shall be Broan/NuTone RDM1 suitable for use with the following ventilation fan models:

Broan AE80, AE110, A80L, A110L, AE80B, AE80F, AE110F, AE80BF, A000HF, A110HF, A50L, A70L, A80, A80HD, A110, A70LF, A80F, A80HDF, A110F, A000HL

NuTone AEN80, AEN110, AN80L, AN110L, AEN80B, AEN80F, AEN110F, AEN80BF, AN000HF, AN110HF, AN70L, AN110, AN80HDF, AN110F, AN000HL, AN70LF

Radiation damper shall be rated for use in up to three hour ceiling constructions. It shall be UL Classified (UL-555C) and meets or exceeds NFPA-90A.



SEE DETAILS ON
UL CLASSIFICATION
MARKING ON PRODUCT

Broan-NuTone LLC Hartford, Wisconsin www.broan.com www.nutone.com 800-558-1711
Broan-NuTone Canada Mississauga, Ontario www.broan.ca www.nutone.ca 877-896-1119

| REFERENCE | QTY. | REMARKS | Project |
|-----------|------|---------|--------------|
| | | | Location |
| | | | Architect |
| | | | Engineer |
| | | | Contractor |
| | | | Submitted by |
| | | | Date |