

## DL Series

### LED Hazardous Area Lighting



Class I	Division 2, Groups A, B, C and D
Class II	Zone 2, Groups IIC, IIB, IIA
Class III	Division 1 and 2, Groups E, F and G
- UL1598A For Marine Locations - NEMA-4X - UL844 - CSA C22.2 No 137	
Contact your Thomas&Betts sales representatives to verify classification	

Simultaneous Class I Division 2 and Class II

#### Features

- Faster and easier installation with simple hinge arrangement that permits “hands-free” wiring
- Instant-on / instant restrike
- 5000K CCT and 70 CRI standard\*
- Exceptional energy efficient LED technology reduce maintenance and prevent downtimes
- Rated for extreme temperature (-40°C to 55°C) or (-35°C to 40°C) depending on model
- Retrofits into existing Hazlux® 3 applications

#### Construction

- Cast, copper-free aluminum construction for high strength, light weight and corrosion resistance
- The paint used in our standard finish is baked, electro-deposited, pure epoxy powder
- All exposed hardware is corrosion-resistant stainless steel

\* For other CCT, please contact factory.

#### Electrical

- AC input: 120 to 277Vac 50/60Hz; option: 347 / 480Vac 50/60Hz
- Soft-start; in-rush maximum current; high power factor: 0.9
- Protection: AC over-voltage; over-temperature; load short-circuit

#### Options

- Selection of optical assemblies: Thermal Resistant Glass Globe and Glass Refractor Globe (type I, III and V)
- Guard options include polymeric or cast guards
- Selection of Mounting Styles: Includes pendant, wall or ceiling mounts and stanchions
- HazCote® custom anti-corrosion coating options. Please consult factory
- LED mini-reflectors available to offer 35°, 45° or 65° beam angle

#### T-Ratings

Model	AC Power (W)	Lumen	Lm/W	Temperature Code			
				40°C		55°C	
				Class I Div 2	Class I Div 2 & Class II	Class I Div 2	Class I Div 2 & Class II
DL005	45	5,800	129	T5	T4A	T5	T4
DL007	58	7,100	122	T5	T4A	T5	T4
DL010	88	10,100	144	T4A	T4A	T4A	T4
DL015	122	15,600	128	T4	T3C	N.A.	N.A.
DL017	131	17,800	135	T4	T3C	N.A.	N.A.
DL020	166	20,400	123	T3C	T3C	N.A.	N.A.

# Hazlux<sup>®</sup> LED - DL Series

## Safety Technology

### Catalog Ordering Number System

#### UNIPAK™

LED Driver Tank + Optics and Mountings + Options (if necessary)

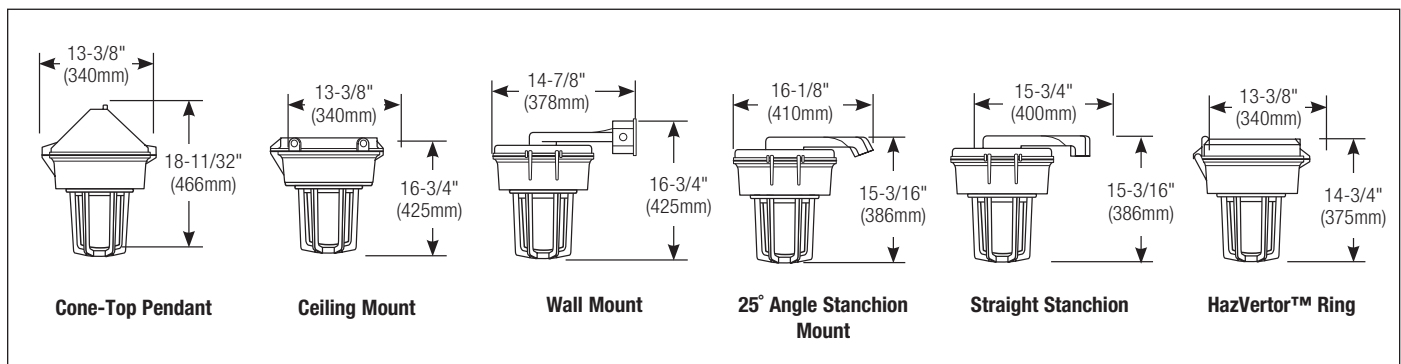
LED Driver Tank					
DL	0	10	E	UN	0
1	2	3	4	5	6

Optics & Mounting			
TG	C	C2	E
7	8	9	10

Options	
T	I6
11	12

<b>1</b>	<b>Fixture Series</b> DL= Hazlux <sup>®</sup> 3 LED Series	<b>9</b>	<b>Mounting Style</b> A2= 3/4" Cone-Top Pendant A3= 1" Cone-Top Pendant B2= 3/4" Wall Mount B3= 1" Wall Mount C2= 3/4" Ceiling Mount C3= 1" Ceiling Mount HV1= Hazvertor™ Ring - Class I Div. 2, Zone 2 HV2= Hazvertor™ Ring - Class II Div. 1, Div. 2 L4= 1-1/4" Straight Stanchion L5= 1-1/2" Straight Stanchion S4= 1-1/4" 25° Angle Stanchion S5= 1-1/2" 25° Angle Stanchion Blank= No Mounting (to replace existing fixture)
<b>2</b>	<b>Fixture</b> 0= Standard Fixture	<b>10</b>	<b>UNIPAK™ Options</b> E= UNIPAK™ with LED light source
<b>3</b>	<b>Fixture Lumen Output</b> 05= 5,800 lumens, 45W 07= 7,100 lumens, 58W 10= 10,100 lumens, 88W 15= 15,600 lumens, 122W 17= 17,800 lumens, 131W 20= 20,400 lumens, 166W	<b>11</b>	<b>Special Options</b> T= HazCote <sup>®</sup> Custom Anti-corrosion Coating (Consult factory) G= Grey colour option
<b>4</b>	<b>Driver Circuit</b> E= Electronic LED driver	<b>12</b>	<b>Light Distribution Options</b> I3= Interior Reflector 35° Beam Angle* I4= Interior Reflector 45° Beam Angle* I6= Interior Reflector 65° Beam Angle* (*)= DL005, DL007, DL010 only
<b>5</b>	<b>Voltage / Frequency</b> UN= Universal 120 to 277VAC 50/60Hz (Voltage includes 208V, 220V, 240V etc.) UN2= Universal 347/480VAC 50/60Hz (Not available for DL017 and DL020)		
<b>6</b>	<b>LED Driver Housing Style</b> 0= Standard Housing S= Standard Housing with stainless-steel insert		
<b>7</b>	<b>Optical Assembly</b> TG= Thermal Shock-Resistant Glass Globe R1= Type I Glass Refractor Globe R3= Type III Glass Refractor Globe R5= Type V Glass Refractor Globe		
<b>8</b>	<b>Guard Option</b> Blank= No Guard C= Cast Aluminum Guard L= Polymeric Guard		

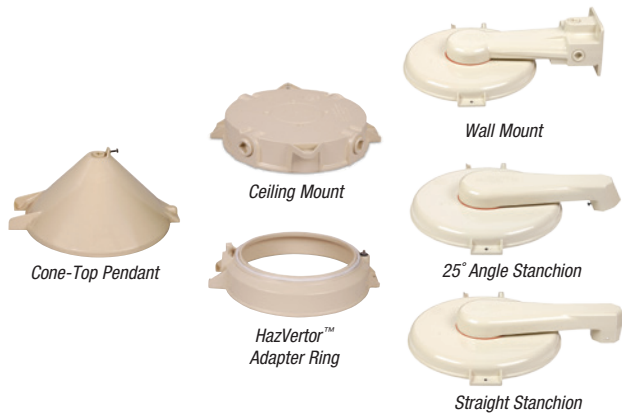
### Dimensions – Standard Housing with Globe and Guard



# Hazlux® LED - DL Series

## Safety Technology

### Mounting Options



CAT. NO.	DESCRIPTION	CONDUIT HUB SIZE
VA2	Cone-Top Pendant	3/4"
VA3	Cone-Top Pendant	1"
VC2	Ceiling Mount	3/4"
VC3	Ceiling Mount	1"
VB2-VIB	Wall Mount	3/4"
VB3-VIB	Wall Mount	1"
VS4-VIB	25° Angle Stanchion	1-1/4"
VS5-VIB	25° Angle Stanchion	1-1/2"
VL4-VIB	Straight Stanchion	1-1/4"
VL5-VIB	Straight Stanchion	1-1/2"
HV1	HazVertor™ Adapter Ring	N/A
HV2	HazVertor™ Adapter Ring	N/A

### Globes or Refractors



CAT. NO.	DESCRIPTION
VGT15	Heat-Resistant Prismatic Glass Globe
VGL15R1	IES Type I Refractor Globe
VGL15R3	IES Type III Refractor Globe
VGL15R5	IES Type V Refractor Globe

### Guards



CAT. NO.	DESCRIPTION
VGU22P	Polymeric Guard for VGT22 Series Globe
VGU22	Cast Guard for VGT22 Series Globe

### Reflectors or Exit Sign



CAT. NO.	DESCRIPTION
VR15P	Standard Dome, Fiberglass-Reinforced Polyester
VRA15P	Angular Dome, Fiberglass-Reinforced Polyester

Note: Reflectors are shipped bulk.

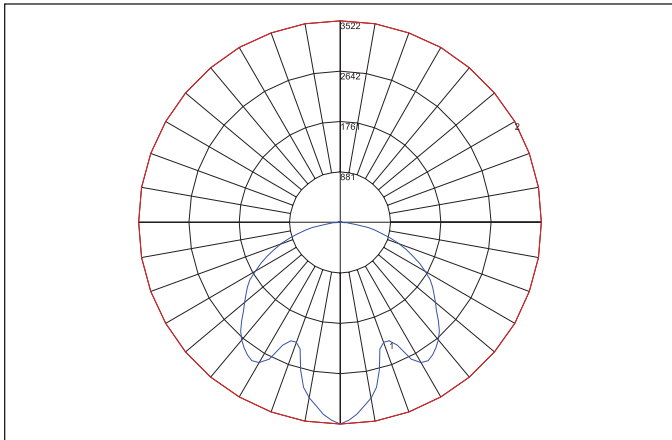
# Hazlux® LED - DL Series

## Safety Technology

### Photometry - Standard Ballast Housing with Globe and Guard

(Description) Ceiling Mount	
Reference Date	
Catalogue No.	DL010EUN0TG
CCT	5,000°K
Lumen Output	10,123
Input Watt	88,19
Luminaire Efficacy	115
Spacing Criterion (0-180)	1,24
Spacing Criterion (90-270)	1,24
Spacing Criterion (Diagonale)	1,40

### Polar Graph



### Zonal Lumen Summary

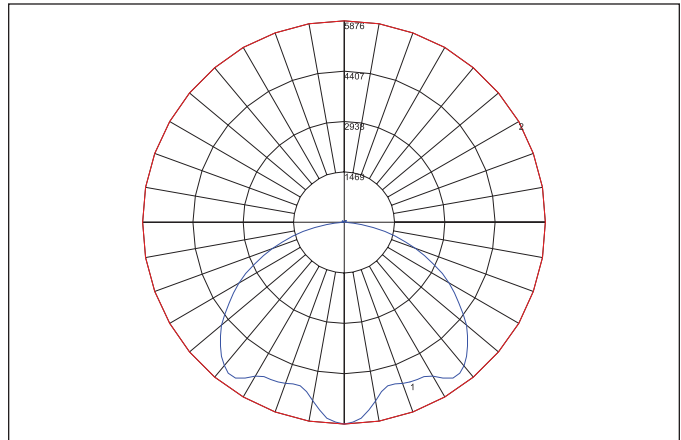
Zone	Lumens	%Lamp	%Fixt
0-20	1049.92	N.A.	10.40
0-30	2197.24	N.A.	21.70
0-40	3954.2	N.A.	39.10
0-60	7590.97	N.A.	75.00
0-80	9804.12	N.A.	96.80
0-90	10000.15	N.A.	98.80
10-90	9687.33	N.A.	95.70
20-40	2904.27	N.A.	28.70
20-50	4781.44	N.A.	47.20
40-70	5032.38	N.A.	49.70
60-80	2213.15	N.A.	21.90
70-80	817.54	N.A.	8.10
80-90	196.03	N.A.	1.90
90-110	57.70	N.A.	0.60
90-120	81.30	N.A.	0.80
90-130	101.93	N.A.	1.00
90-150	122.68	N.A.	1.20
90-180	122.87	N.A.	1.20
110-180	65.17	N.A.	0.60
0-180	10123.03	N.A.	100.00

Note: Total Luminaire Efficiency= N.A. %

### Photometry - Standard Ballast Housing with Globe and Guard

(Description) Ceiling Mount	
Reference Date	
Catalogue No.	DL020EUN0TG
CCT	5,000°K
Lumen Output	20,476
Input Watt	166,1
Luminaire Efficacy	123
Spacing Criterion (0-180)	1,46
Spacing Criterion (90-270)	1,46
Spacing Criterion (Diagonale)	1,58

### Polar Graph



### Zonal Lumen Summary

Zone	Lumens	%Lamp	%Fixt
0-20	1948.86	N.A.	9.5
0-30	4291.06	N.A.	21.00
0-40	7711.42	N.A.	37.70
0-60	15307.63	N.A.	74.80
0-80	19801.85	N.A.	96.70
0-90	20185.52	N.A.	98.60
10-90	19653.86	N.A.	96.00
20-40	5762.56	N.A.	28.10
20-50	9692.19	N.A.	47.30
40-70	10452.67	N.A.	51.00
60-80	4494.22	N.A.	21.90
70-80	1637.77	N.A.	8.00
80-90	383.67	N.A.	1.90
90-110	112.09	N.A.	0.50
90-120	167.29	N.A.	0.80
90-130	225.15	N.A.	1.10
90-150	290.07	N.A.	1.40
90-180	290.53	N.A.	1.40
110-180	178.44	N.A.	0.90
0-180	20476.05	N.A.	100.00

Note: Total Luminaire Efficiency= N.A. %