

Super Duty Power Pack Line

High performance line includes models for daylight harvesting, bi-level switching, plug load control, CA Title 24, occupancy sensing control, and manual switching



DEFINITION

The OPP20 is the latest addition to the Leviton Power Pack family, delivering a wide array of switching solutions in a single unit. Submitted for stringent testing, this robust Power Pack line is designed to deliver unmatched performance. The OPP20 line features robust and reliable mechanical latching relays, exclusive fail-safe circuitry, daylight harvesting, bi-level switching, and is configurable for energy code requirements (CA Title 24, ASHRAE 90.1, NYC LL48). Exclusive Leviton High Inrush Stability (H.I.S.™) circuitry is specifically designed to handle high inrush electronic ballast loads and offer unmatched durability and service.

APPLICATIONS

- Daylight Harvesting
- Bi-level Switching
- Plug Load Control
- CA Title 24 Compliant
- Auto-ON/Auto-OFF with Local Switch
- Manual-ON/Auto-OFF with Local Switch

OPP20 SOFTWARE FEATURES

- Fail-safe circuitry/Return-to-Closed capability

OPP20 SOFTWARE FEATURES BY MODEL

OPP20-OD1

- Auto-ON occupancy sensor input

OPP20 SOFTWARE FEATURES BY MODEL (CONT'D)

OPP20-OD2

- Exclusive patented self-detect configurable local switch input - momentary or maintained
- Configurable for Auto-ON and Manual-ON occupancy sensor inputs
- CA Title 24 Compliant

OPP20-RD3

- Auto-ON occupancy sensor input
- Photocell (switching only) ready

OPP20-RD4

- Exclusive patented self-detect configurable local switch input - momentary or maintained
- Configurable for Auto-ON and Manual-ON occupancy sensor inputs
- Photocell (switching only) ready
- CA Title 24 Compliant

OPP20 HARDWARE FEATURES

- Robust and reliable mechanically held latching relay provides dependability and robust performance for all load types and provides power savings over electrically held relay power packs
- Industry exclusive fail-safe circuitry - in the event of product failure, Return-to-Closed capability causes relay to default to a closed position (ON) for safe operation and alleviates life safety concerns
- Industry exclusive H.I.S. (High Inrush Stability) circuit designed to handle high inrush electronic ballast loads
 - Factory calibrated zero crossing for extended life of the relay
- Submitted and passed for stringent testing:
 - Tested over 1,500,000 loaded cycles
 - Passed NEMA 410 testing for electronic ballast inrush current
 - UL/cUL 916 Listed for Energy Management Equipment
- Power supply output short circuit protection
- Voltage regulated at 24VDC, 225mA
- Optimal installation flexibility
 - Class 2 wires are Teflon coated for UL2043 Plenum Rated applications
 - Mounts inside or outside fluorescent ballast cavity
 - Mounts inside or outside junction box
- RoHS Compliant

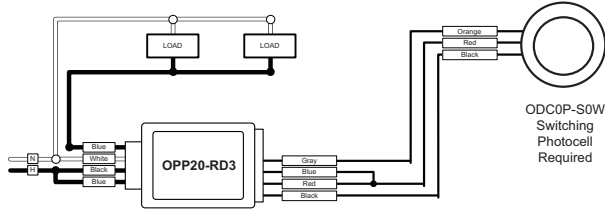
OPP20-OD1 • OPP20-OD2 • OPP20-RD3 • OPP20-RD4

PRODUCT DATA

APPLICATION DIAGRAMS

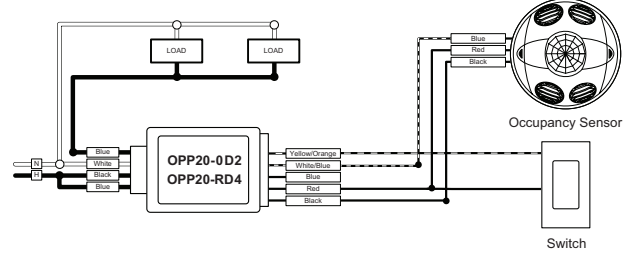
OPP20-0D1 • OPP20-0D2 • OPP20-RD3 • OPP20-RD4

Photocell ONLY Room Control



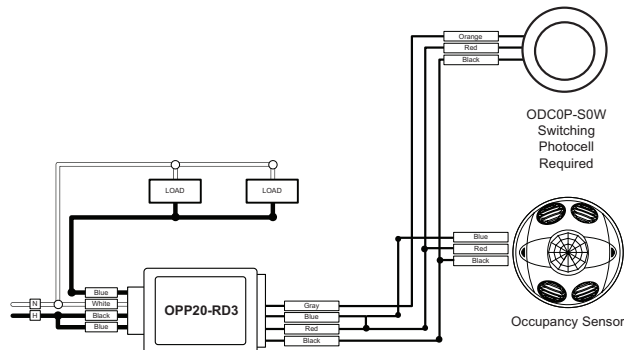
NOTE: Power Pack and the load switched by the power pack MUST be fed from the same phase.

Manual ON/Auto OFF with Local Switch



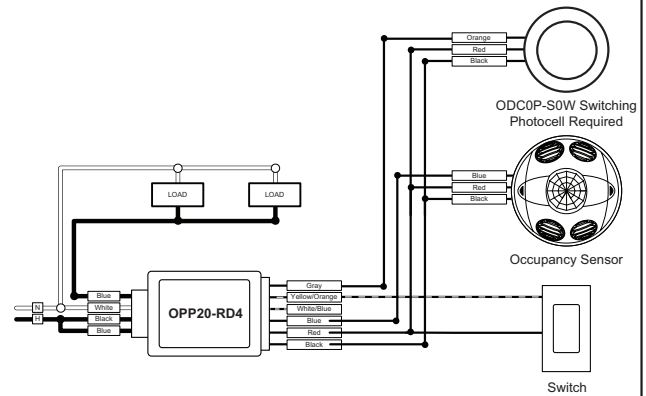
NOTE: Power Pack and the load switched by the power pack MUST be fed from the same phase.

Photocell and Occupancy Sensor Room Control



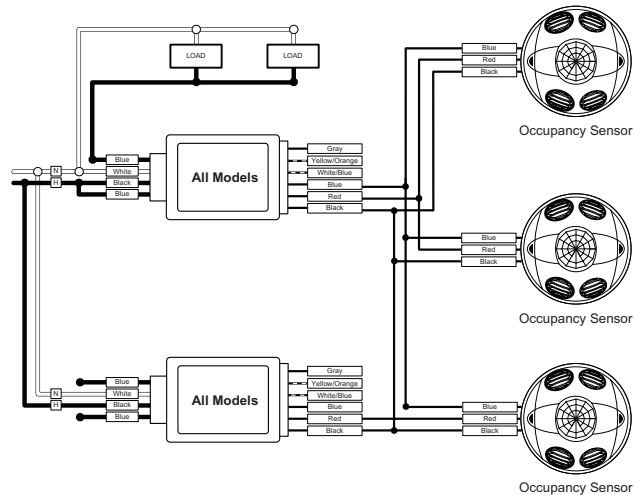
NOTE: Power Pack and the load switched by the power pack MUST be fed from the same phase.

Photocell and Occupancy Sensor with Local Switch



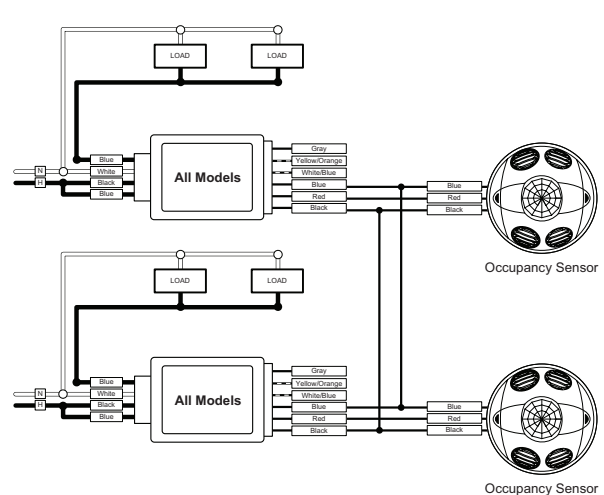
NOTE: Power Pack and the load switched by the power pack MUST be fed from the same phase.

Multiple Occupancy Sensors Exceeding the Power Pack's Rating



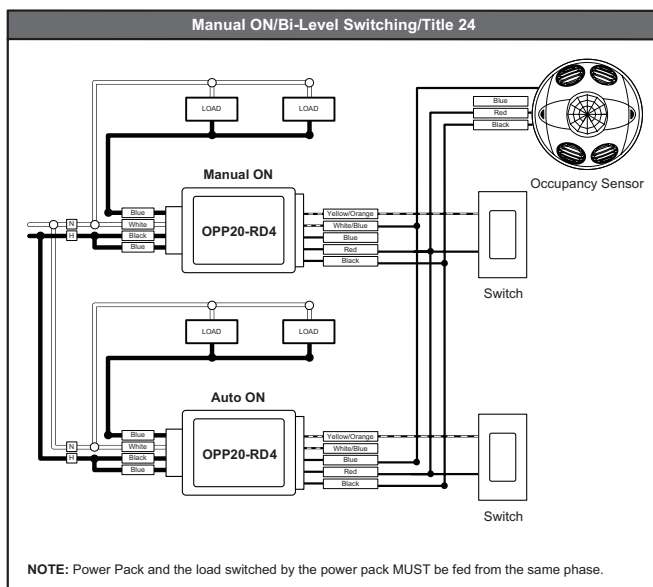
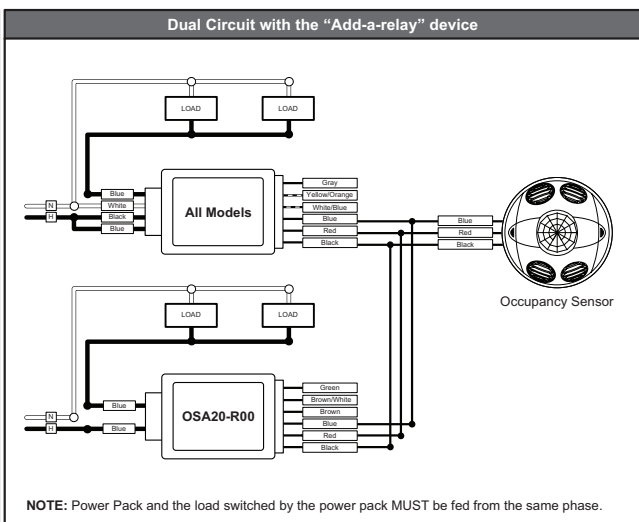
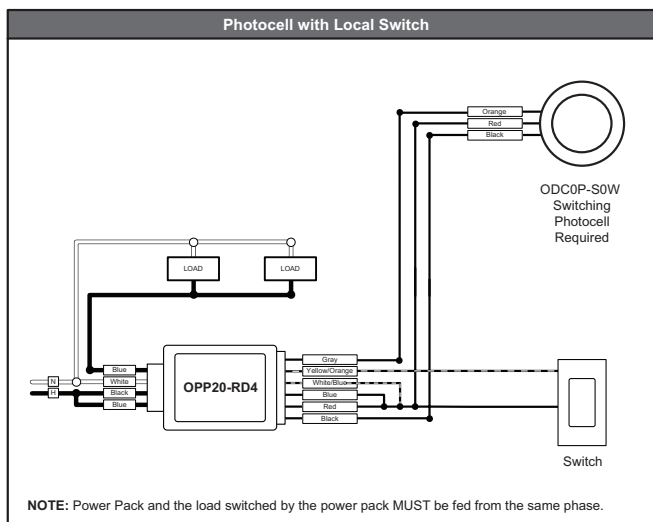
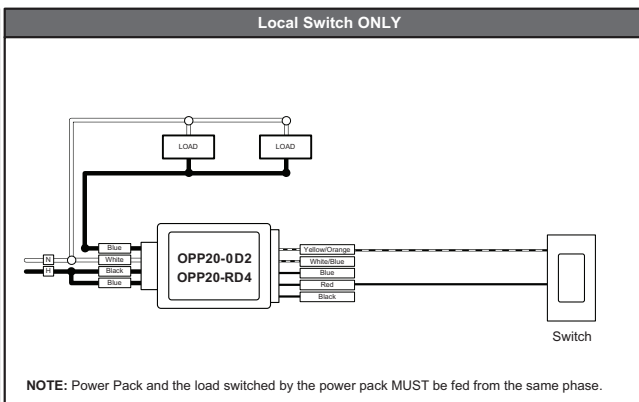
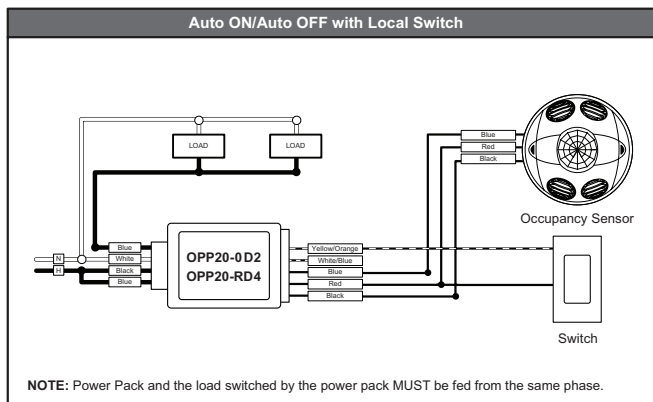
NOTE: Power Pack and the load switched by the power pack MUST be fed from the same phase.

Multiple Loads Exceeding a Single Power Pack's Load Rating

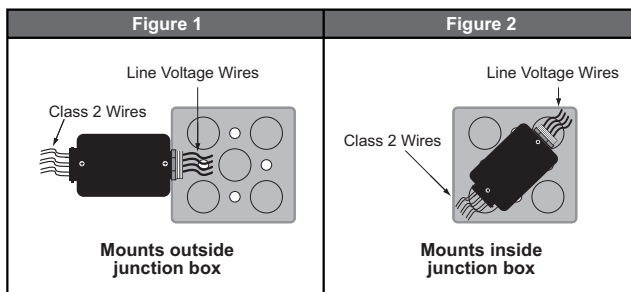


NOTE: Power Pack and the load switched by the power pack MUST be fed from the same phase.

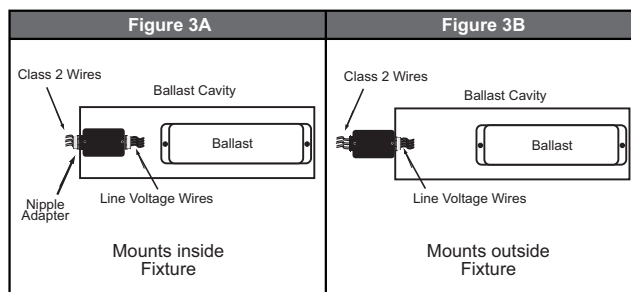
APPLICATION DIAGRAMS



JUNCTION BOX INSTALLATION



FLUORESCENT BALLAST INSTALLATION



For additional wiring diagrams, see the Occupancy Sensors Application Cookbook at www.leviton.com/lesdrawings.

SPECIFICATIONS

ENVIRONMENTAL	
Operating Temperature Range	32°F to 122°F (0°C to 50°C)
Relative Humidity	0% to 90% non-condensing, for indoor use only
OTHER	
Construction	Case: high impact, UL rated plastic Relay: 60A rated magnetic latching relay; silver alloy contacts Wire: 6" leads, 18AWG input; 14AWG load; LV connections: 8" leads 22AWG
Dimensions	2.400"H x 3.811"W x 1.432"D (60.96mm x 96.80mm x 36.37mm)
Listings	UL/cUL Listed, FCC Certified, NOM Certified, CA Title 24 Compliant, meets ASHRAE 90.1 requirements, RoHs Compliant
Color	Gray
Warranty	Limited Five-Year Warranty

ORDERING INFORMATION*

DESCRIPTION	CAT. NO.	POWER INPUT	RELAY RATING	CONTROL INPUTS	POWER SUPPLY OUTPUT
Power Pack, Basic with Auto-ON	OPP20-0D1	120-230-277VAC, 50/60 Hz	20A, 2400W @ 120V – Resistive 20A, 2400W @ 120V – General Purpose 20A, 2400W @ 120V – Incandescent 20A, 2400W @ 120V – Fluorescent	2mA, 24VDC	225mA, 24VDC, 5.4W
Power Pack with Auto-ON, Manual-ON, and Local Switch Inputs, Title 24	OPP20-0D2		20A, 5540W @ 277V – Resistive 20A, 5540W @ 277V – General Purpose 20A, 5540VA @ 277V – Fluorescent		
Power Pack with Auto-ON and Photocell Input	OPP20-RD3		16A, 4430VA @ 277V – Electronic Ballasts 1/2 HP @ 120V – Motor Load 2 HP @ 240/277V – Motor Load		
Power Pack with Auto-ON, Manual-ON, Local Switch, and Photocell Input, Title 24	OPP20-RD4		Suitable for general purpose plug load control - 20A, 2400W @ 120V - complies with ASHRAE 90.1 and CA Title 24 Plug Load Control Requirements		

*For CE Compliant Lighting Control Module, see the OPPCE data sheet.

POWER PACK CAPACITY FORMULA

Leviton power packs can be used to provide power to one or more occupancy sensors. Since current consumptions of occupancy sensors may vary, the best way to ensure you order the correct number of power packs and add-a-relays is by using this formula:

$$\begin{array}{|c|} \hline \text{\# of sensor} \\ \text{Model As} \\ \hline \times \\ \hline \text{Sensor A current} \\ \text{consumption} \\ \hline \end{array} + \begin{array}{|c|} \hline \text{\# of sensor} \\ \text{Model Bs} \\ \hline \times \\ \hline \text{Sensor B current} \\ \text{consumption} \\ \hline \end{array} + \begin{array}{|c|} \hline \text{\# of Add a} \\ \text{Relays} \\ \hline \times \\ \hline 50\text{mA} \\ \hline \end{array} \leq 225\text{mA}$$

Power supply output per below chart



DESCRIPTION	CURRENT CONSUMPTION
OSC04-I, OSC15-I, OSWHB-I, OSWLR-I, OSWWV-I	10-15mA
OSC05-M, OSC05-U, OSW12-M	25mA
OSC10-M, OSC10-U	35mA
OSC20-M, OSC20-U	30mA
OSA20-R Add-a-Relay	50mA
ODC0P-S0W Switching Photocell	10mA

Leviton Manufacturing Co., Inc. Lighting & Energy Solutions

20497 SW Teton Avenue, Tualatin, OR 97062 • Tel: 1-800-736-6682 • FAX: 503-404-5594 • Tech Line (6 AM - 4 PM Mon-Fri): 1-800-959-6004

Leviton Manufacturing Co., Inc. Global Headquarters

201 N. Service Rd., Melville, NY 11747-3138 • Tech Line: 1-800-824-3005 • FAX: 1-800-832-9538

Leviton Manufacturing of Canada, Ltd.

165 Hymus Boulevard, Pointe Claire, Quebec H9R 1E9 • Telephone: 1-800-469-7890 • FAX: 1-800-563-1853

Leviton S. de R.L. de C.V.

Lago Tana 43, Mexico DF, Mexico CP 11290 • Tel. (+52) 55-5082-1040 • FAX: (+52) 5386-1797 • www.leviton.com.mx

Visit our Website at: www.leviton.com/les

© 2014 Leviton Manufacturing Co., Inc. All rights reserved. Subject to change without notice.

OPP20-0D1 • OPP20-0D2 • OPP20-RD3 • OPP20-RD4