



Individual Fixture and Circuit Control

Flexible, easy-to-install energy management solutions

Energy Harvesting Lighting Control Solutions by LevNet RF™

CONTROL LIGHTING FLEXIBLY WITH EASY, INEXPENSIVE CUSTOMIZATION

LevNet RF™ 902 MHz Wireless Self-Powered Solutions are the perfect choice for projects involving unique or changing lighting control situations. LevNet RF devices are simply placed and programmed—no need to pull wires or disrupt power. As a result, the devices can be used to control individual fixture lights or entire zones of light fixtures. Once a selection is made, the devices can be re-positioned and reprogrammed as much as the situation may warrant. LevNet RF offers a hassle-free solution to unique facility configurations.

LevNet RF solutions provide cost savings over the lifetime of the device by drastically reducing maintenance and material costs, and controlling energy usage to lower costs. Taking the simple steps to implement LevNet RF solutions results in significant savings and a quick return on investment—welcome news for any facility.

PROBLEM

Large facility wants to implement one energy management system. Some overhead lights should be controlled as zones and respond to occupancy sensors and light sensors as one area, while other fixtures require individual control.

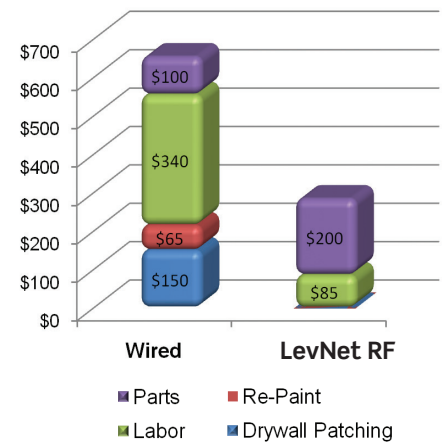
- Facility is a pre-existing structure that was not designed with energy conservation considerations
- Some common areas are almost always occupied, while others receive only sporadic use
- Facility must remain open and operational during retrofit process with minimal disruptions

SOLUTION

Easily add energy harvesting controls to assign a mix of circuit and individual control to any facility

- Individual fixtures can be controlled over cubicles, desks and other task areas to illuminate only when occupied and when in use
- Lights over common areas, such as lobbies, cafeterias and gymnasiums, are controlled as one seamless zone for convenient programming and ease-of-use
- Quick and easy to retrofit into new and existing structures, requiring minimal labor and causing no significant disturbances to facility operations

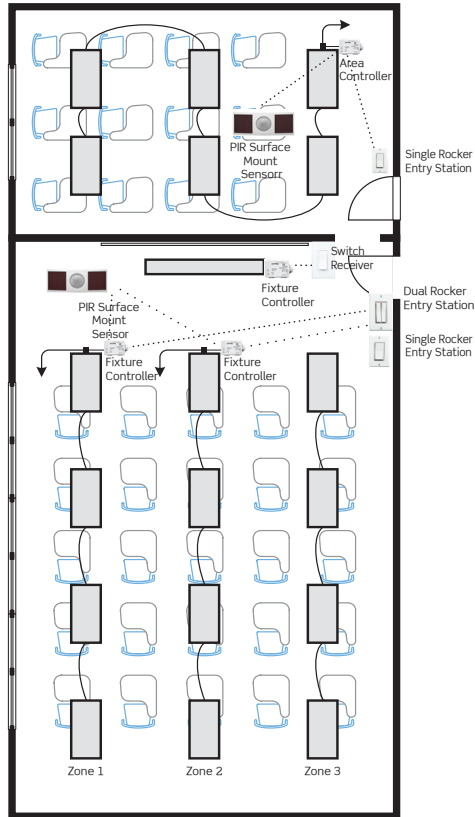
WIRED VS. LEVNET RF COSTS



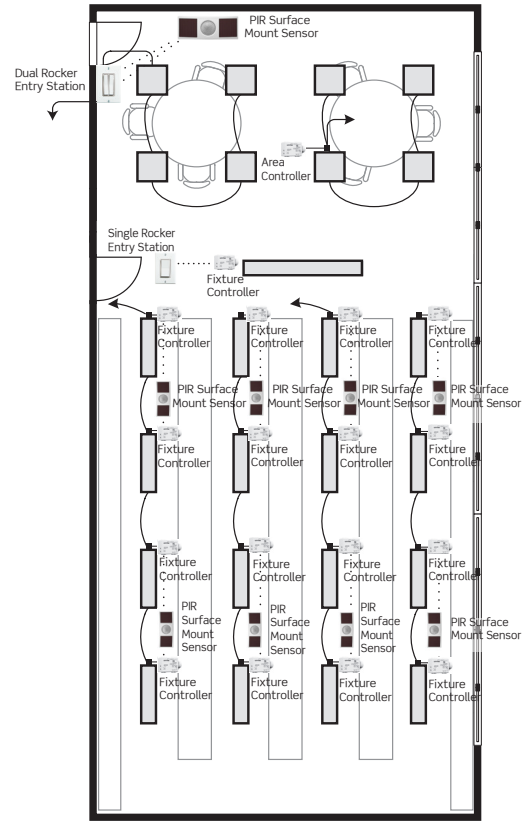
*Installation time per device: 45-50 minutes for hardwire vs. 10-15 minutes for wireless devices.

LEVNET RF™ SOLUTIONS ARE THE SMART CHOICE for combining circuit and individual lighting control for multiple applications—while saving energy across the board.

AREA CIRCUIT CONTROL SOLUTION



FIXTURE CIRCUIT CONTROL SOLUTION



What You'll Need for a LevNet RF 902 MHz Wireless Self-Powered Area & Fixture Control Solution

		AREA CONTROL	FIXTURE CONTROL
	LevNet RF 1-10V 902 MHz Fixture Controller, 5A WSD05-9D0 <ul style="list-style-type: none"> Controls zones or individual lighting fixtures 	1	17
	LevNet RF 1-10V 902 MHz Area Controller, 20A WSD20-9D0 <ul style="list-style-type: none"> Controls groups of lighting fixtures or motor loads 	1	2
	LevNet RF PIR 902 MHz Surface Mount Occupancy Sensor WSC12-M9N <ul style="list-style-type: none"> Communicates with other LevNet RF devices by transmitting signals based on room occupancy 	2	9
	LevNet RF 902 MHz Dual Rocker Entry Station WSS0S-D9x <ul style="list-style-type: none"> Controls 2 zones or individual lighting loads by transmitting signals to LevNet RF receivers within range 	1	1
	LevNet RF 902 MHz Single Rocker Entry Station WSS0S-S9x (replace "x" with color choice: W=white, T=light almond, I=ivory, G=Gray, E=black) <ul style="list-style-type: none"> Controls zone or individual lighting loads 	2	1

Contact your Leviton representative for additional smart solutions to expand and upgrade your system.

Leviton Manufacturing Co., Inc. Global Headquarters

201 N. Service Rd. Melville, NY 11747-3138 Tech Line: 1-800-824-3005 Fax: 1-800-832-9538

Leviton Manufacturing Co., Inc. Lighting & Energy Solutions

20497 SW Teton Avenue, Tualatin, OR 97062 • Telephone: 1-800-736-6682 • Fax: 503-404-5594 • Tech Line (6-4 P.S.T. Monday-Friday): 1-800-959-6004

Leviton Manufacturing of Canada, Ltd.

165 Hymus Boulevard, Pointe Claire, Quebec H9R 1E9 • Telephone: 1-800-469-7890 • FAX: 1-800-563-1853

Leviton S. de R.L. de C.V.

Lago Tana 43, Mexico DF, Mexico CP 11290 • Tel. (+52) 55-5082-1040 • FAX: (+52) 5386-1797 • www.leviton.com.mx

Visit our Website at: www.leviton.com/les

© 2015 Leviton Manufacturing Co., Inc. All rights reserved. Subject to change without notice.