

Integrated Room Control (IRC)

Code Compliant Room-in-a-Box Lighting Control

Engineered to deliver a simple and cost-effective California Title 24 2013 and ASHRAE 90.1 energy code compliant solution, the Leviton Integrated Room Control (IRC) features high performance lighting control capabilities in a compact device. The IRC solution combines daylight harvesting, 0-10V dimming, partial-ON, partial-OFF, occupancy sensing, and demand response capabilities into a single, easy to install package.

IRC features several methods of Ladderless Commissioning™ for install-and-forget convenience, including the AutoCal™ feature which automatically sets the maximum light output levels and calculates light loss factor for accurate lumen maintenance. IRC can be ordered as a custom kit or a factory pre-configured kit which includes a sensor, photocell, and 4-button switch that provides ON, bright, dim, and OFF functionality.

IRC Code Compliant Capabilities California Title 24 2013 and ASHRAE 90.1

- **Dimming:** delivers multiple light levels other than full-ON and full-OFF
- **Daylight harvesting:** automatically adjusts electric light levels based on the amount of daylight in the space
- **Demand response:** reduces lighting loads during peak levels of electricity use
- **Plug load control:** automatically switches receptacle outlets OFF based on occupancy sensor signal
- **Partial-ON control:** turns lights ON partially via manual switch or occupancy sensor when a space is occupied
- **Partial-OFF control:** automatically reduces lighting in a space by at least 50% when a space is unoccupied

The Integrated Room Control (IRC) Advantage



Available as a kit with factory pre-configured sensor, photocell, and 4-button switch

Optional custom engraving on button switches and wallplates

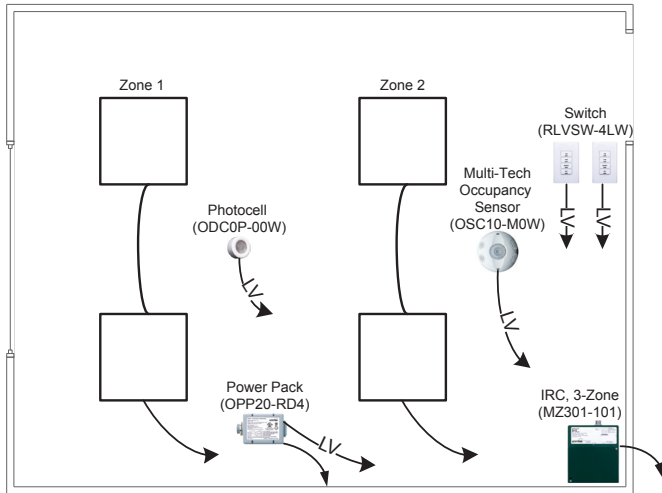


SIMPLE INSTALLATION STEPS

1. Physically install unit and any peripherals
2. Terminate power & control wiring
3. Enable AutoCal & Auto-Burn-In
4. Power up system
5. Installation & configuration complete!

ROOM CONTROL SOLUTIONS

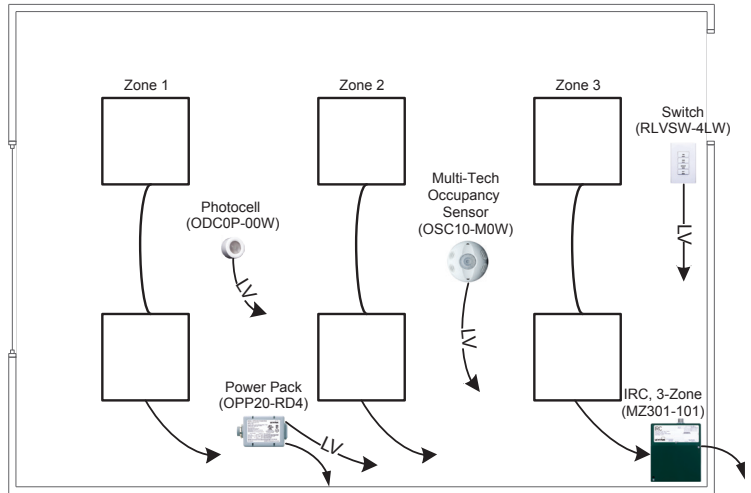
(2) Zones with (2) 0-10V Outputs and (2) Relays



What You Will Need

	Description
	IRC, 2 Zone, 1 Relay MZD20-102
	Multi-Tech Ceiling Mount Occupancy Sensor OSC10-M0W
	Photocell ODCOP-00W
	Low Voltage 4-Button Switch, White RLVSW-4LW
	OPP20 Super Duty Power Pack OPP20-RD4

(3) Zones with (3) 0-10V Outputs and (1) Relay



What You Will Need

	Description
	IRC, 3 Zone, 1 Relay MZD30-101
	Multi-Tech Ceiling Mount Occupancy Sensor OSC10-M0W
	Photocell ODCOP-00W
	Low Voltage 4-Button Switch, White RLVSW-4LW
	OPP20 Super Duty Power Pack OPP20-RD4

ORDERING INFORMATION - Order a complete room-in-a-box kit or build a system.

ROOM-IN-A-BOX KITS - order a complete system with one part number

Factory pre-configured kits include IRC, Multi-Tech Ceiling Mount Occupancy Sensor (OSC10-M0W), 4-Button Switch - White (RLVSW-4LW), and Photocell (ODCOP-00W)

Cat. No.	Description
RCD20-102	Control for (2) zones, with (2) 0-10V outputs and (2) 120-277V relays
RCD30-101	Control for (3) zones, with (3) 0-10V outputs and (1) 120-277V relay
RCD20-C02	Control for (2) zones, with (2) 0-10V outputs and (2) 347V relays
RCD30-C01	Control for (3) zones, with (3) 0-10V outputs and (1) 347V relay

BUILD A SYSTEM - simply choose an IRC, Sensor, 4-Button Switch, and Photocell

1. Select an IRC	2. Select a sensor	3. Select a switch(es)	4. Select a photocell
Determine number of zones to be controlled	Determine the size of the space to be controlled	Determine number of switches, color, and if engraving is required	Are there windows in the space?
2 zones Add MZD20-102 (120-277V) OR MZD30-C02 (347V) 3 zones Add MZD30-101 (120-277V) OR MZD30-C01 (347V)	Add sensor* - see Data sheets for additional specifications Ceiling Mount Sensors OSC05/10/20-M - Multi-tech OSC05/10/20-U - U/S OSC04/15-I - PIR Wall/Corner Mount Sensors OSW12-M - Multi-tech, 1200SF OSWWW-I - PIR, 2500SF OSWHB-I - PIR, 55 ft x 7 ft OSWLR-I - PIR, 100 ft	White Add RLVSW-4LW Color Change Kits Add RDGSW-4Ex** Engraved Color Change Kits Add RDGSW-4Fx**	Yes Add ODCOP-00W No No photocell required

* See data sheets for additional specifications.

** Replace x to indicate color: White (W), Ivory (I), Light Almond (T), Gray (G), Black (E) and Red (R).

Leviton Manufacturing Co., Inc. Lighting & Energy Solutions

20497 SW Teton Avenue, Tualatin, OR 97062

tel 800-736-6682 fax 503-404-5594 tech line (6:00AM-4:00PM PT Monday-Friday) 800-959-6004

Visit our Website at: www.leviton.com/IRC

© 2014 Leviton Manufacturing Co., Inc. All rights reserved. Subject to change without notice.